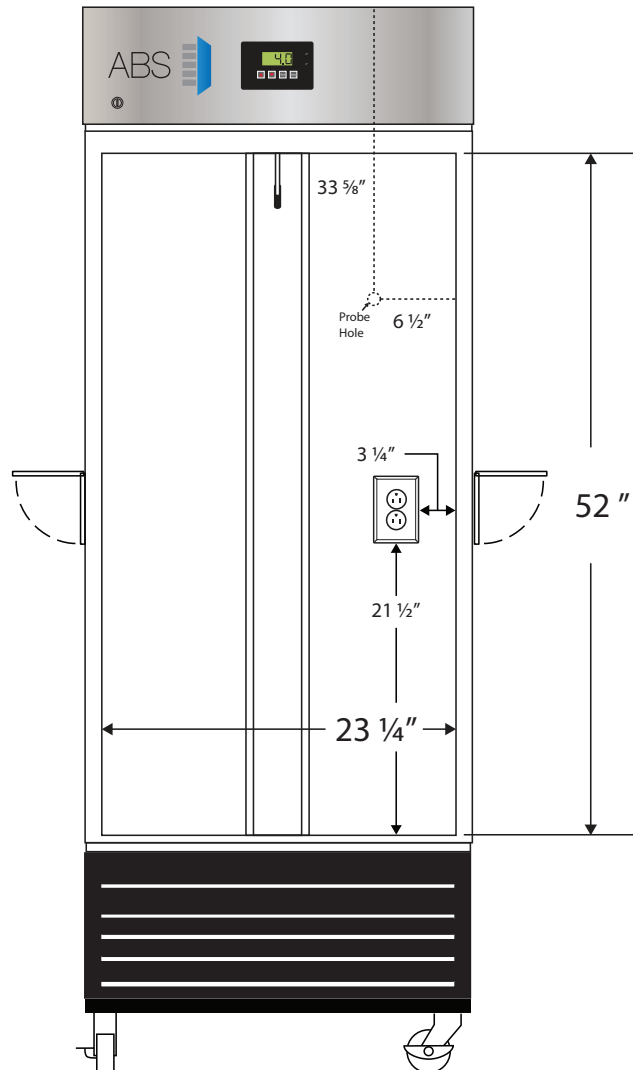
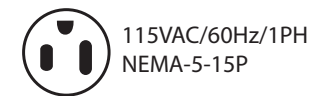
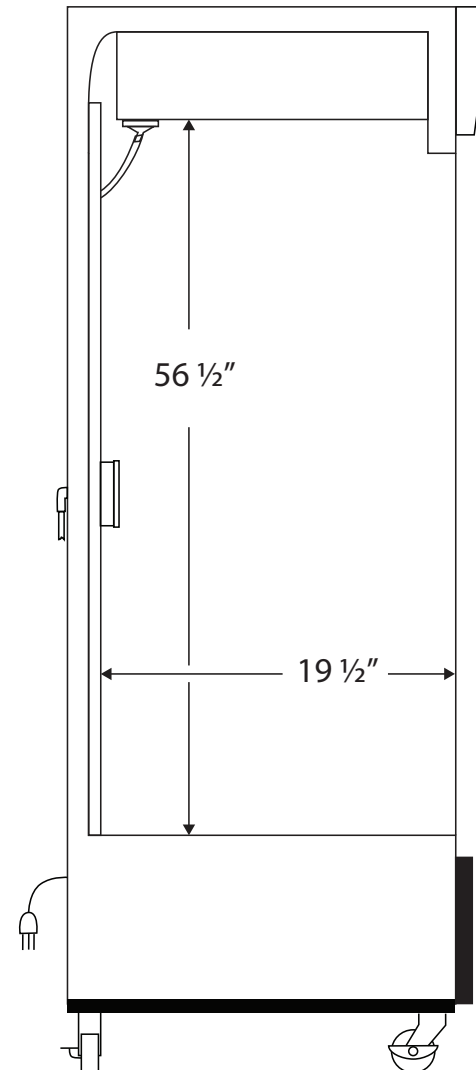


CUTSHEET

Front View



Side View



Cu. Ft	Defrost	Door	Int Door	Shelves	Interior Dim.			Refrigerant	H.P.	Amps	Weight
					W"	D"	H"				
19	Cycle	1 Glass	0	4 Adj	23 1/4	19 1/2	56 1/2	R290	1/3	5.4	255 lbs.

Note: Interior dimensions are estimates and subject to change without notice