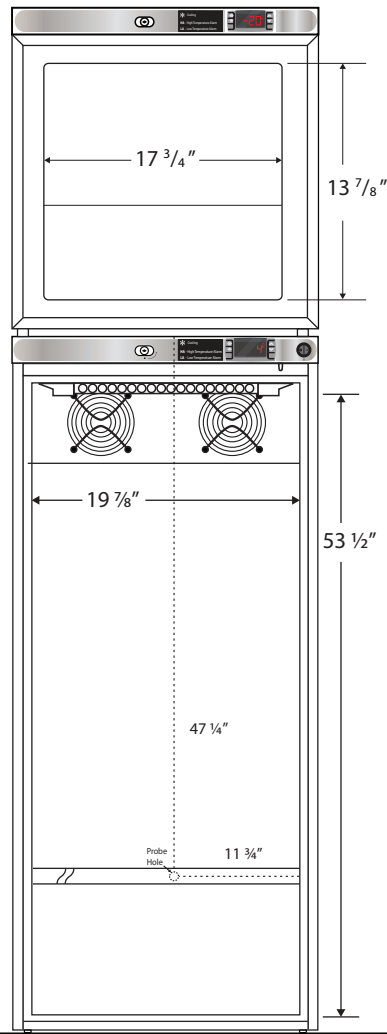
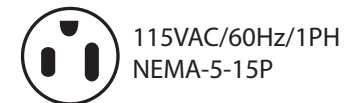
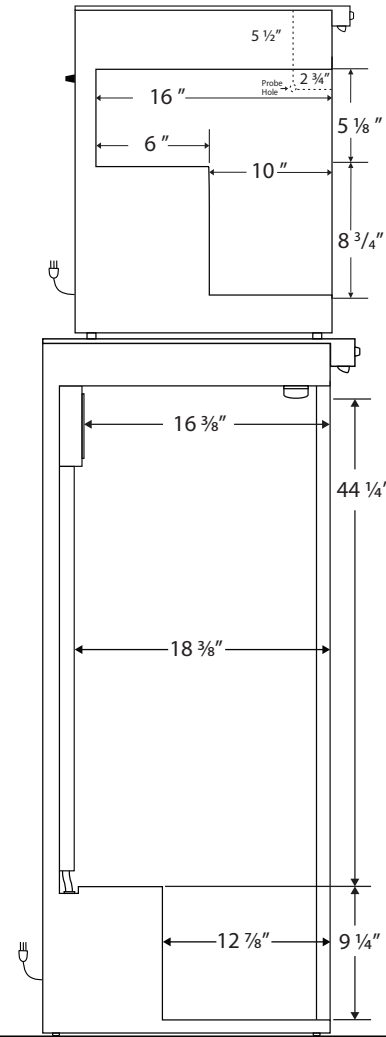


CUTSHEET

Front View



Side View



Compartment	Cu. Ft	Defrost	Door	Int Door	Shelves	Interior Dim.			Refrigerant	H.P.	Amps	Weight
						W"	D"	H"				
Freezer	1.7	Manual	1 Solid	0	2 Adj.	17 ³ / ₄	16	13 ⁷ / ₈	R600a	¹ / ₈	1	219 lbs.
Refrigerator	10.5	Cycle	1 Solid	0	6 Adj.	19 ⁷ / ₈	18 ³ / ₈	53 ¹ / ₂		¹ / ₃	2.3	

Note: Interior dimensions are estimates and subject to change without notice