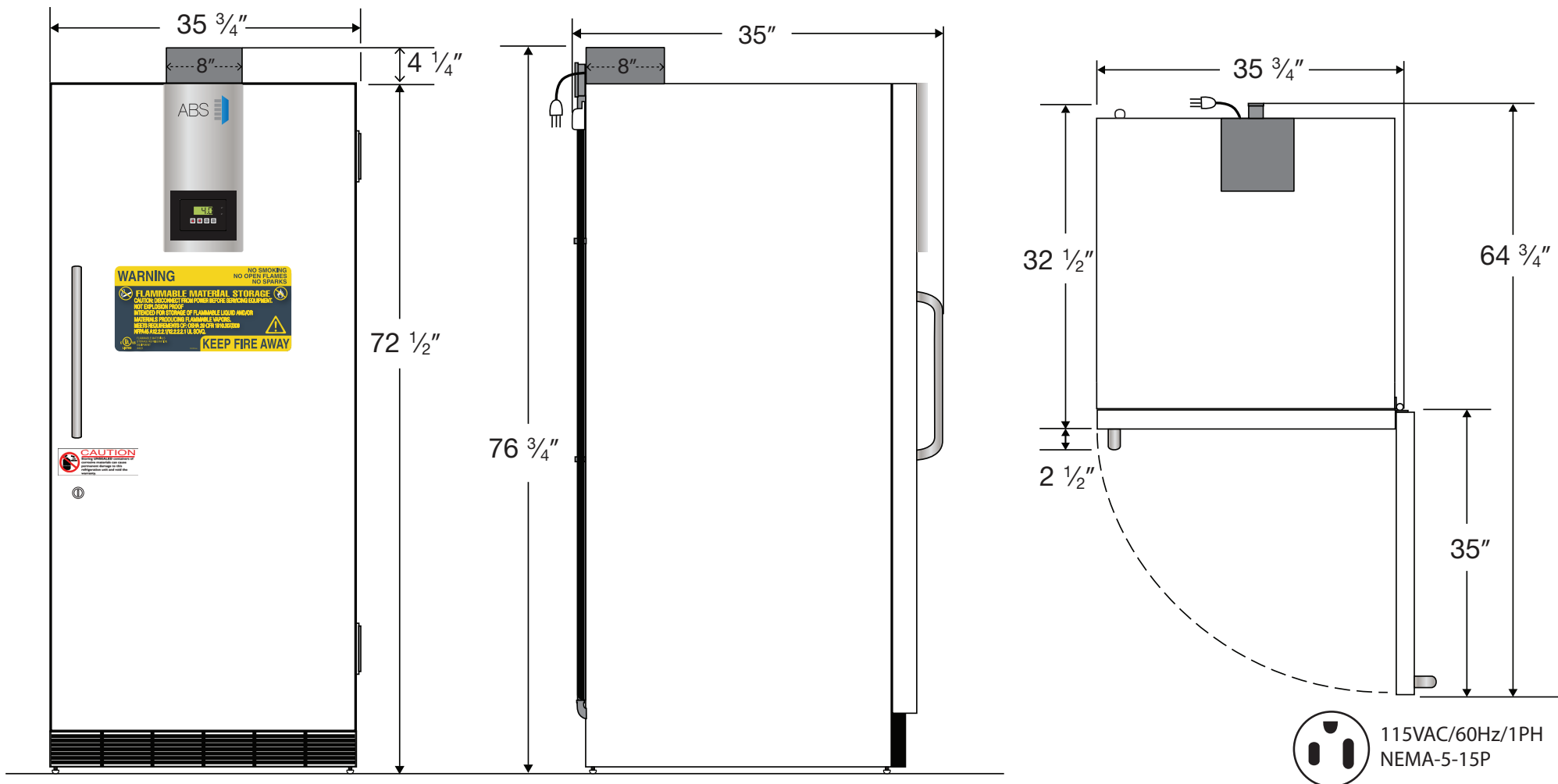


CUTSHEET

Front View

Side View

Top View



Cu. Ft	Defrost	Door	Int Door	Shelves	W"	D"	H"	Refrigerant	H.P.	Amps	Weight
30	Cycle	1 Solid	0	5 Adj	35 3/4	35	76 3/4	R404a	1/3	6	326 lbs.