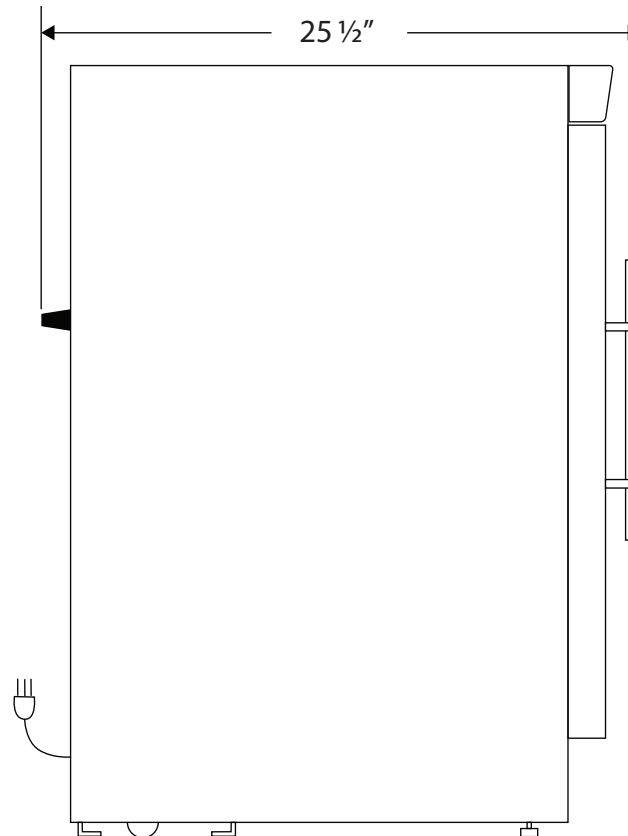


**CUTSHEET**

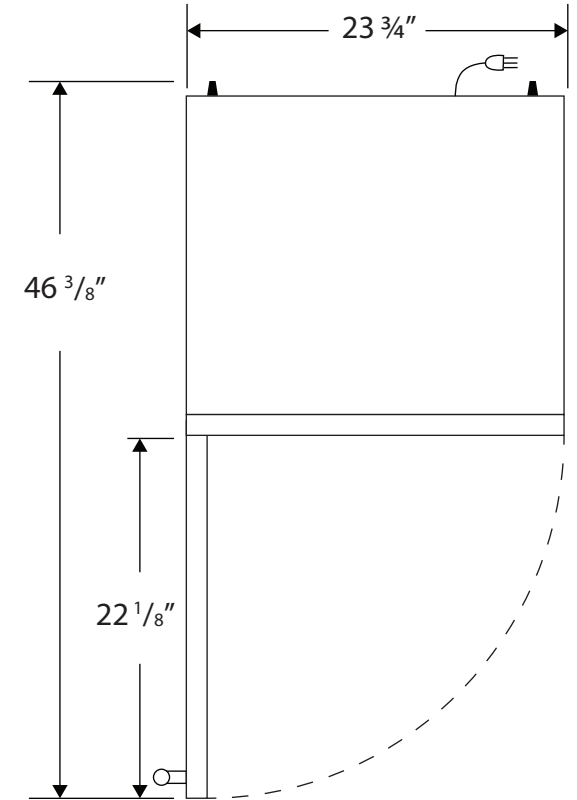
Front View



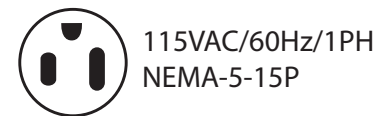
Side View



Top View



**32" HEIGHT MEETS ADA GUIDELINES**



Cu. Ft	Defrost	Door	Int Door	Shelves	W"	D"	H"	Refrigerant	H.P.	Amps	Weight
4.6	Cycle	1 Glass LH (Reversible)	0	2Adj/1 Fixed	23 3/4	25 1/2	31 15/16	R600a	1/8	1.74	97 lbs.