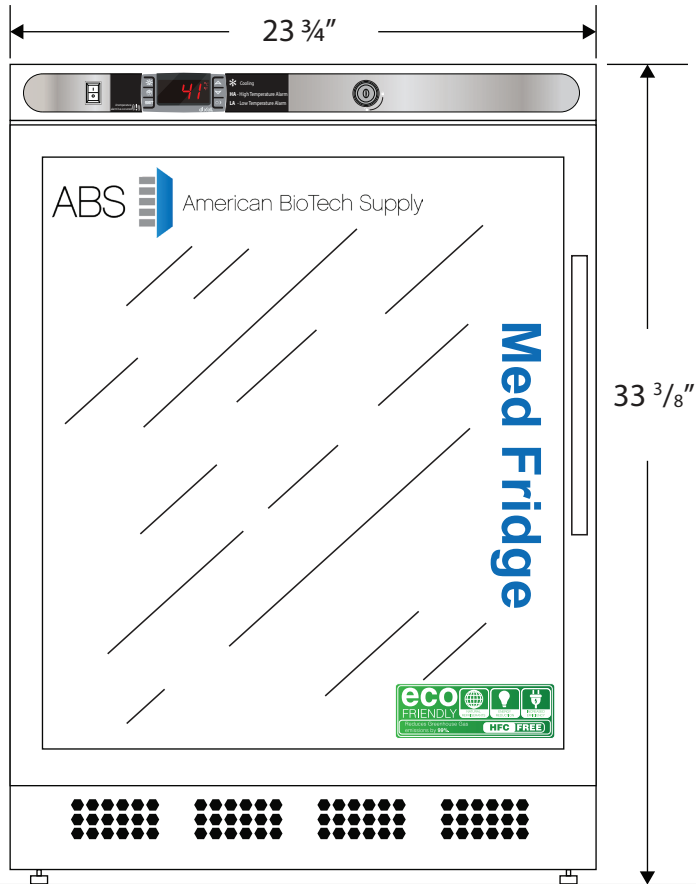
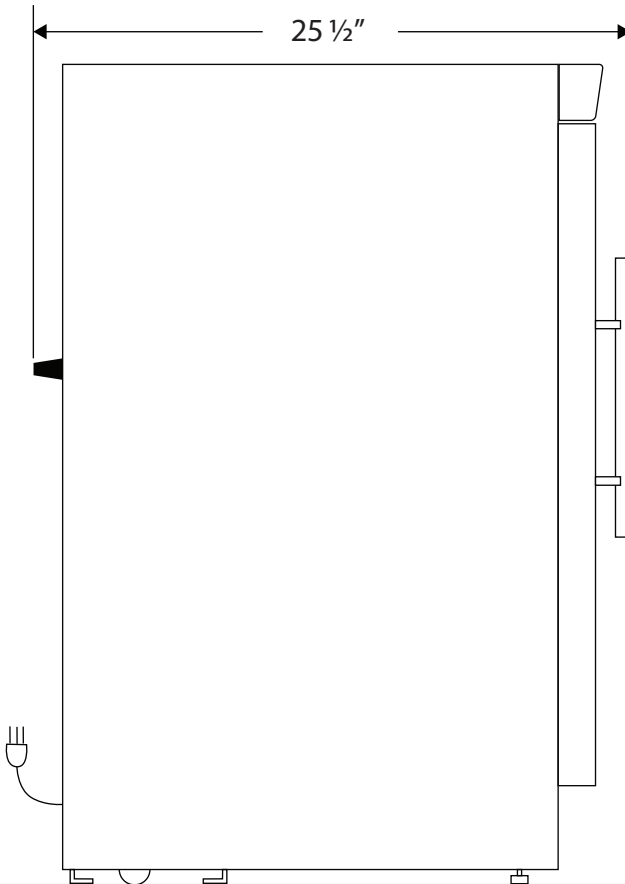


CUTSHEET

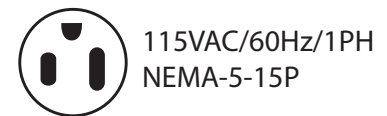
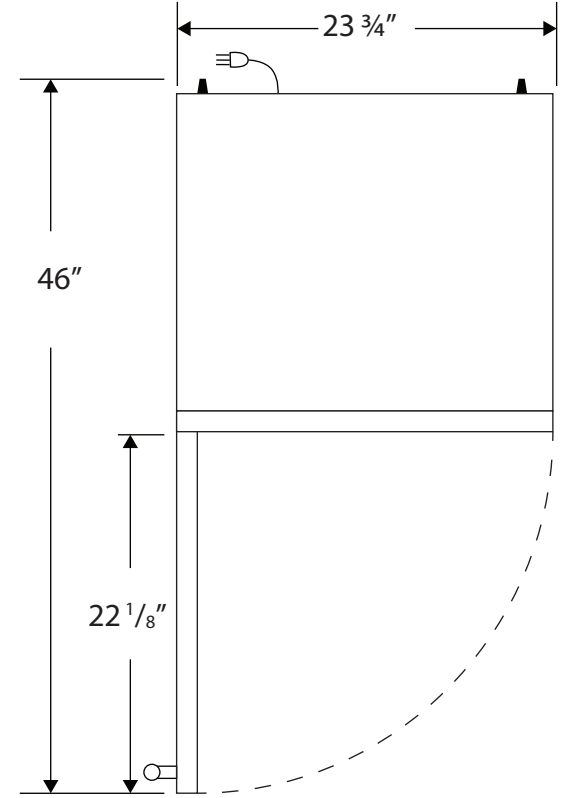
Front View



Side View



Top View



| Cu. Ft | Defrost | Door | Int Door | Shelves | W" | D" | H" | Refrigerant | H.P. | Amps | Weight |
|--------|---------|------------|----------|--------------|--------|--------|--------|-------------|------|------|---------|
| 4.6 | Cycle | 1 Glass LH | 0 | 2Adj/1 Fixed | 23 3/4 | 25 1/2 | 33 3/8 | R600a | 1/8 | 1.74 | 97 lbs. |