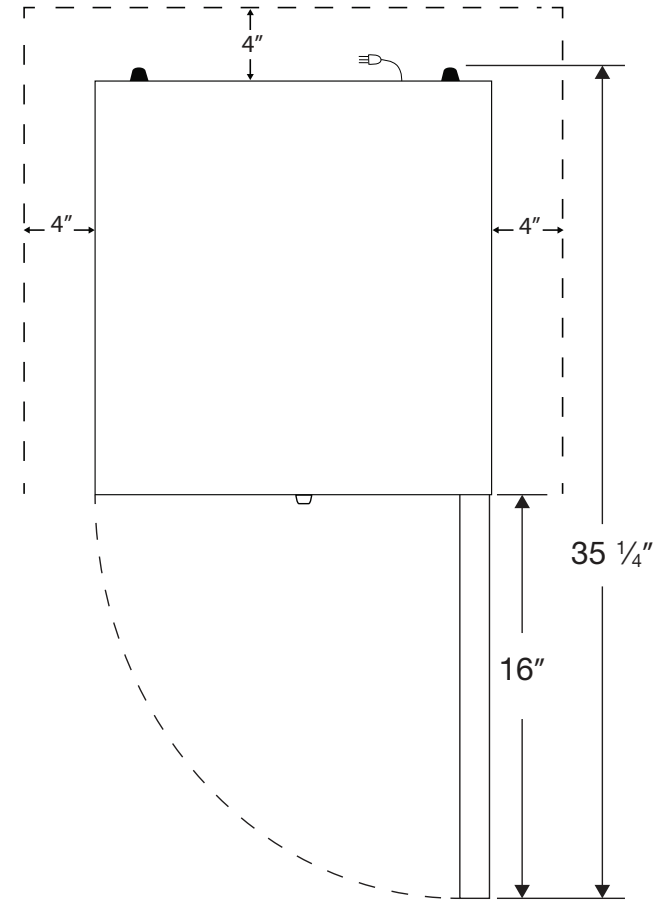
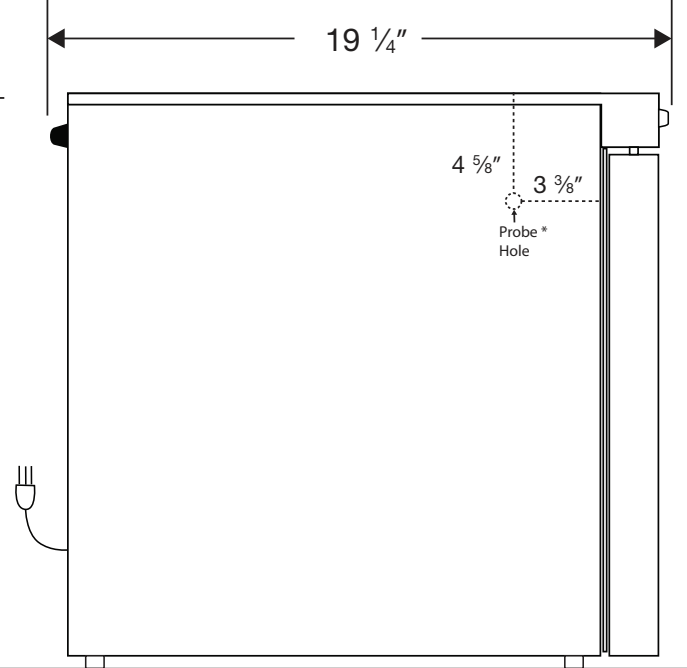
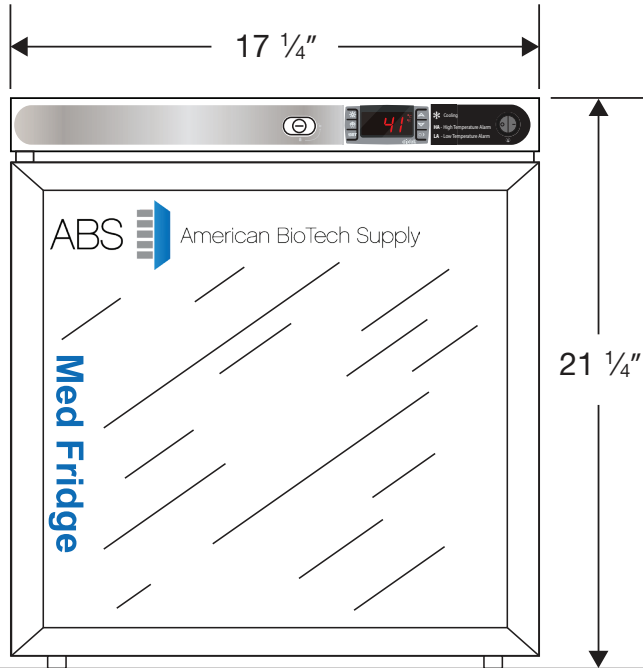


CUTSHEET

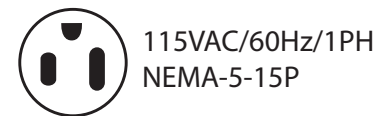
Front View

Side View

Top View



NOTE: Ventilation Requirements – Minimum 4" clearance on sides and back



115VAC/60Hz/1PH
NEMA-5-15P

| Cu. Ft | Defrost | Door | Int Door | Shelves | W" | D" | H" | Refrigerant | H.P. | Amps | Weight |
|--------|---------|---------|----------|---------|--------|--------|--------|-------------|------|------|---------|
| 1 | Cycle | 1 Glass | 0 | 2 Adj | 17 1/4 | 19 1/4 | 21 1/4 | R600a | 1/8 | .90 | 63 lbs. |