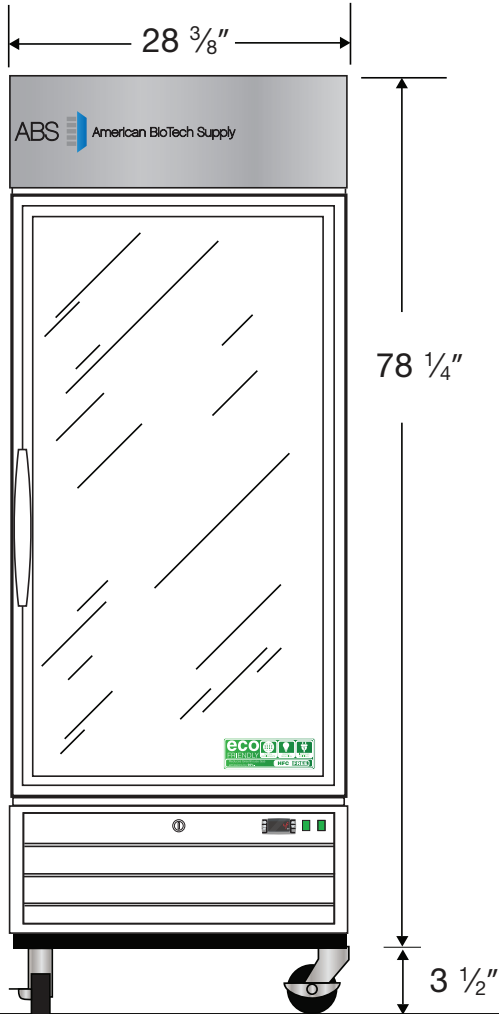


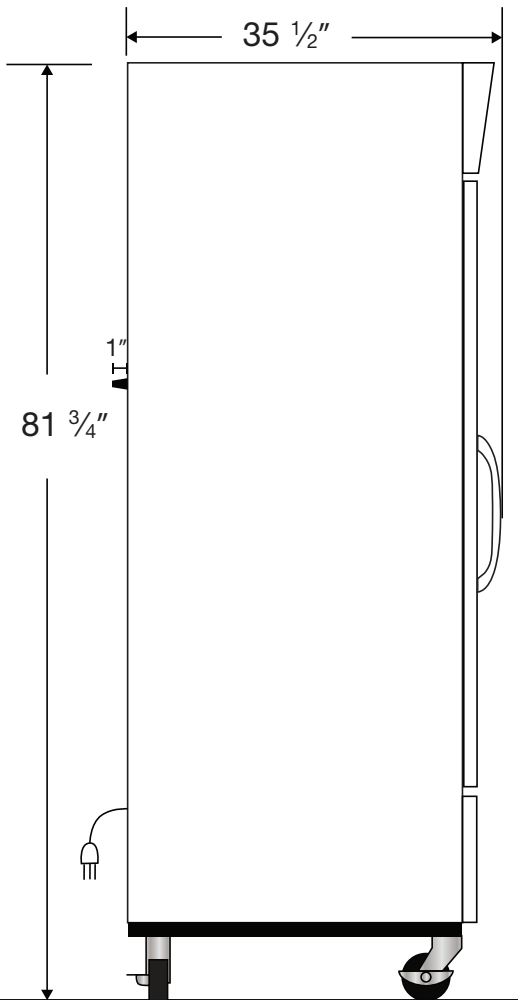
Exterior
ABT-HC-LS-26

CUTSHEET

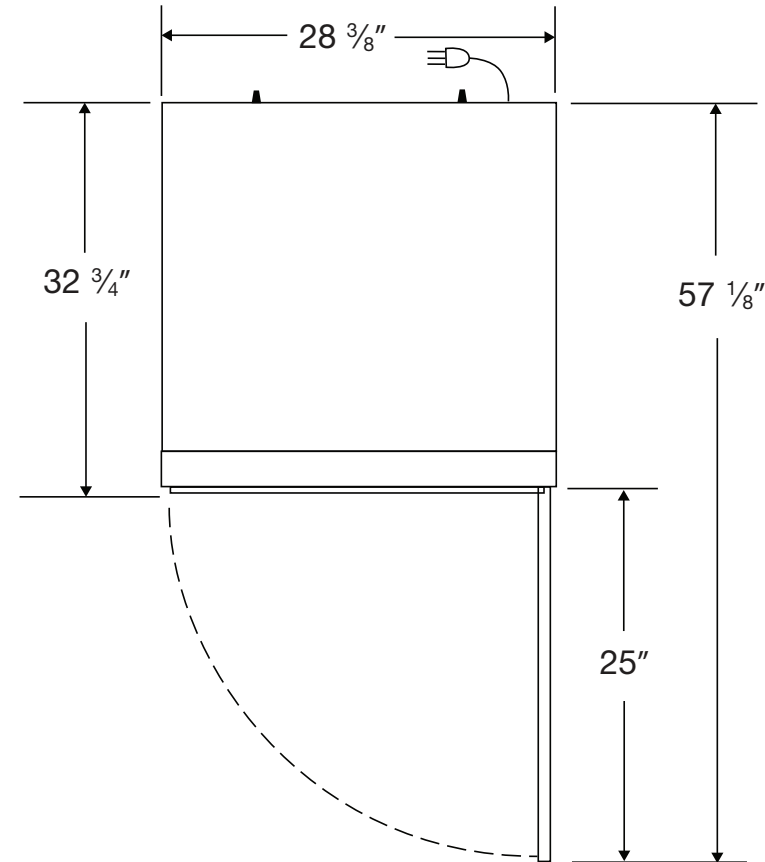
Front View



Side View



Top View



115VAC/60Hz/1PH
NEMA-5-15P

| Cu. Ft | Defrost | Door | Int Door | Shelves | W" | D" | H" | Refrigerant | H.P. | Amps | Weight |
|--------|---------|---------|----------|---------|--------|--------|--------|-------------|------|------|----------|
| 26 | Cycle | 1 Glass | 0 | 4 Adj. | 28 3/8 | 36 1/2 | 81 3/4 | R290 | 1/5 | 3 | 315 lbs. |