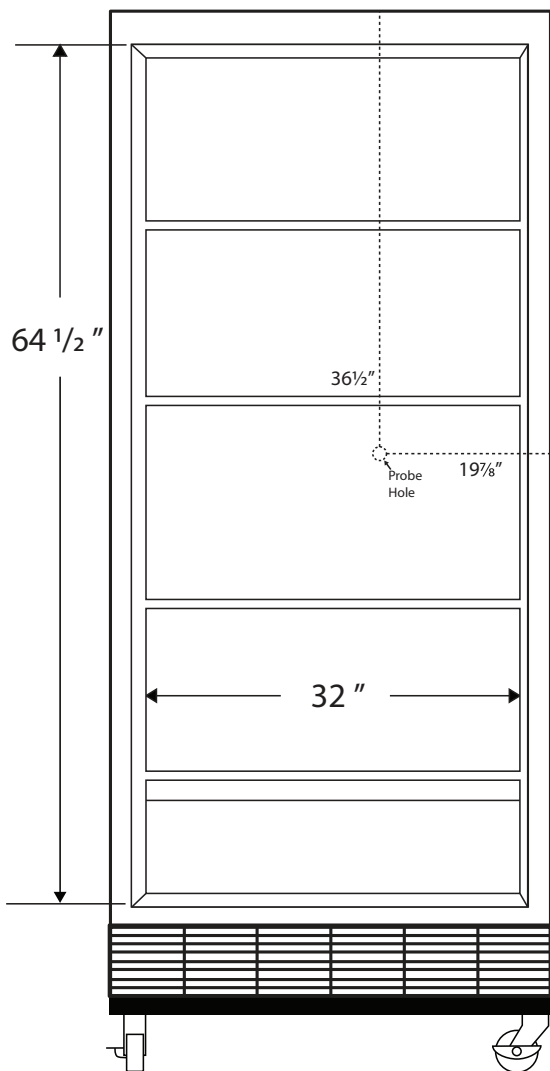
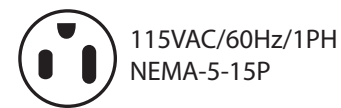
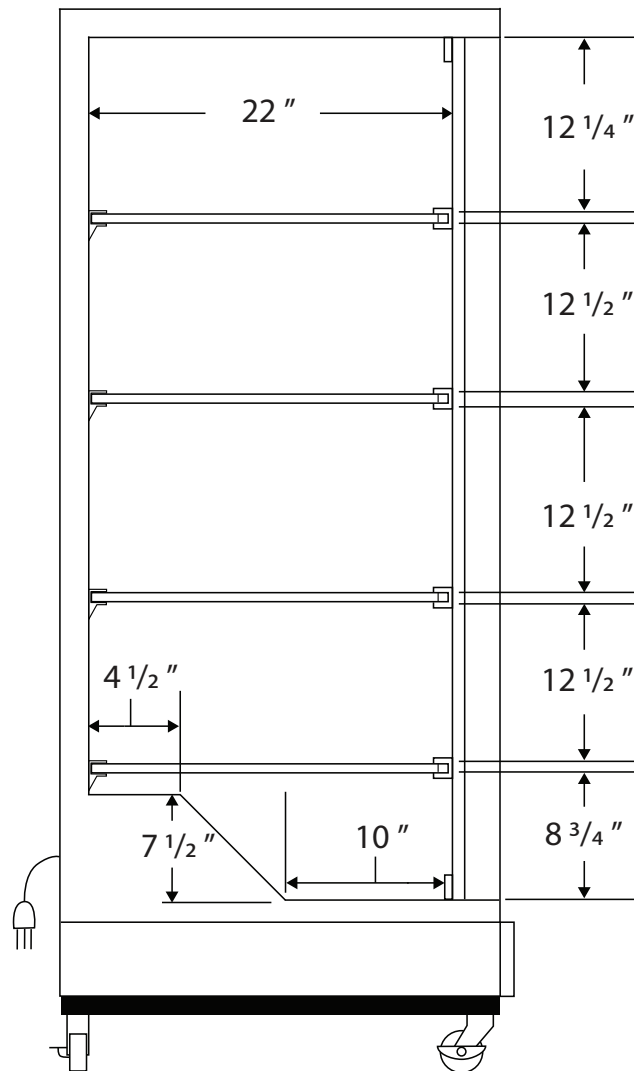


CUTSHEET

Front View



Side View



Cu. Ft	Defrost	Door	Int Door	Shelves	Interior Dim.			Refrigerant	H.P.	Amps	Weight
					W"	D"	H"				
30	Manual	1 Solid	5	4 Fixed	32	22	64 1/2	R404a	1	10.7	402 lbs.

Note: Interior dimensions are estimates and subject to change without notice