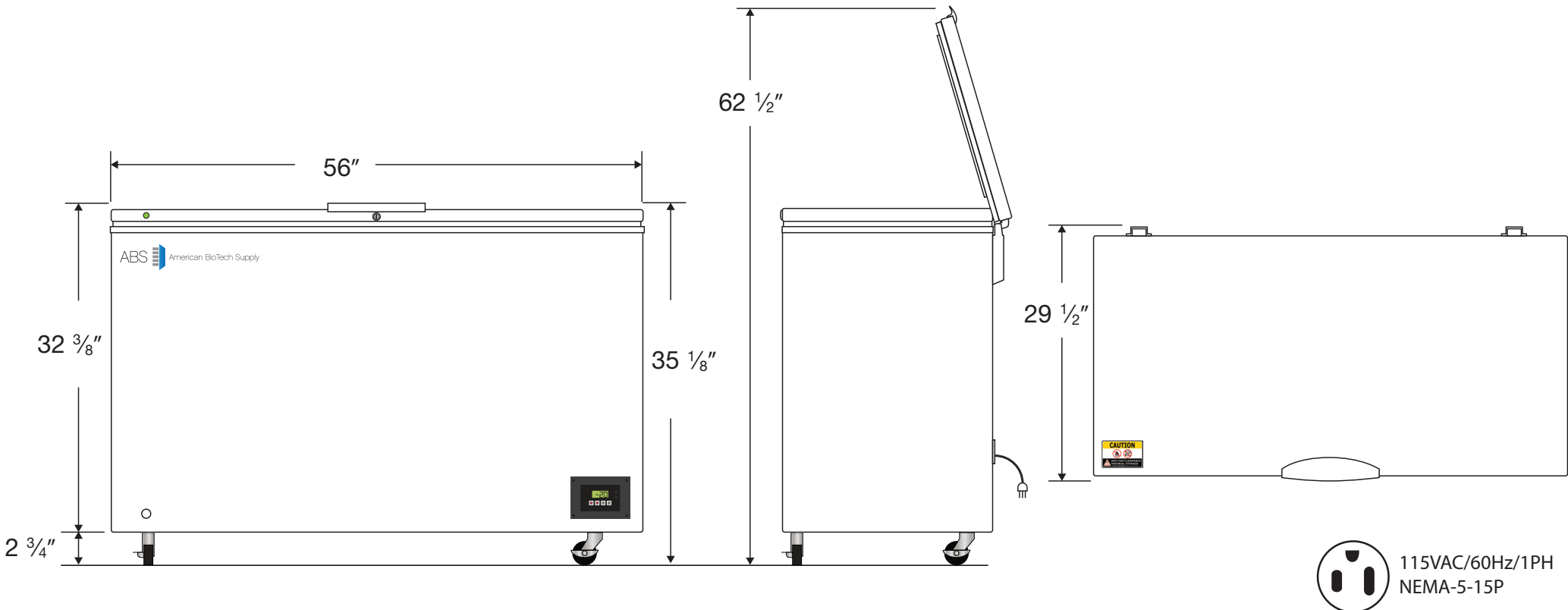


CUTSHEET

Front View

Side View

Top View



115VAC/60Hz/1PH
NEMA-5-15P

Cu. Ft	Defrost	Door	Int Door	Shelves	W"	D"	H"	Refrigerant	H.P.	Amps	Weight
15	Manual	1 Solid	0	2 Baskets	56	29 1/2	35 1/8	R134a	1/4	5	137 lbs.