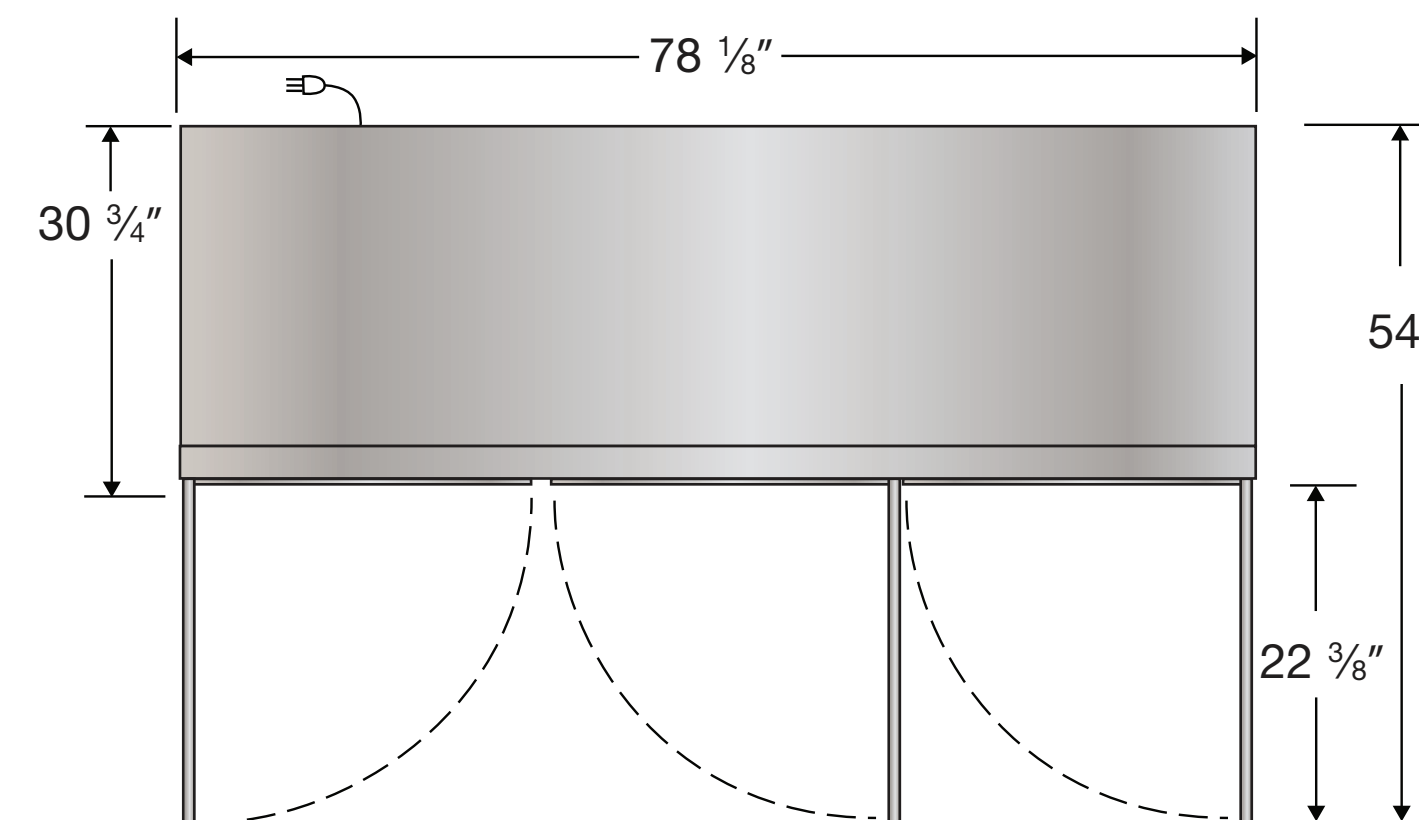
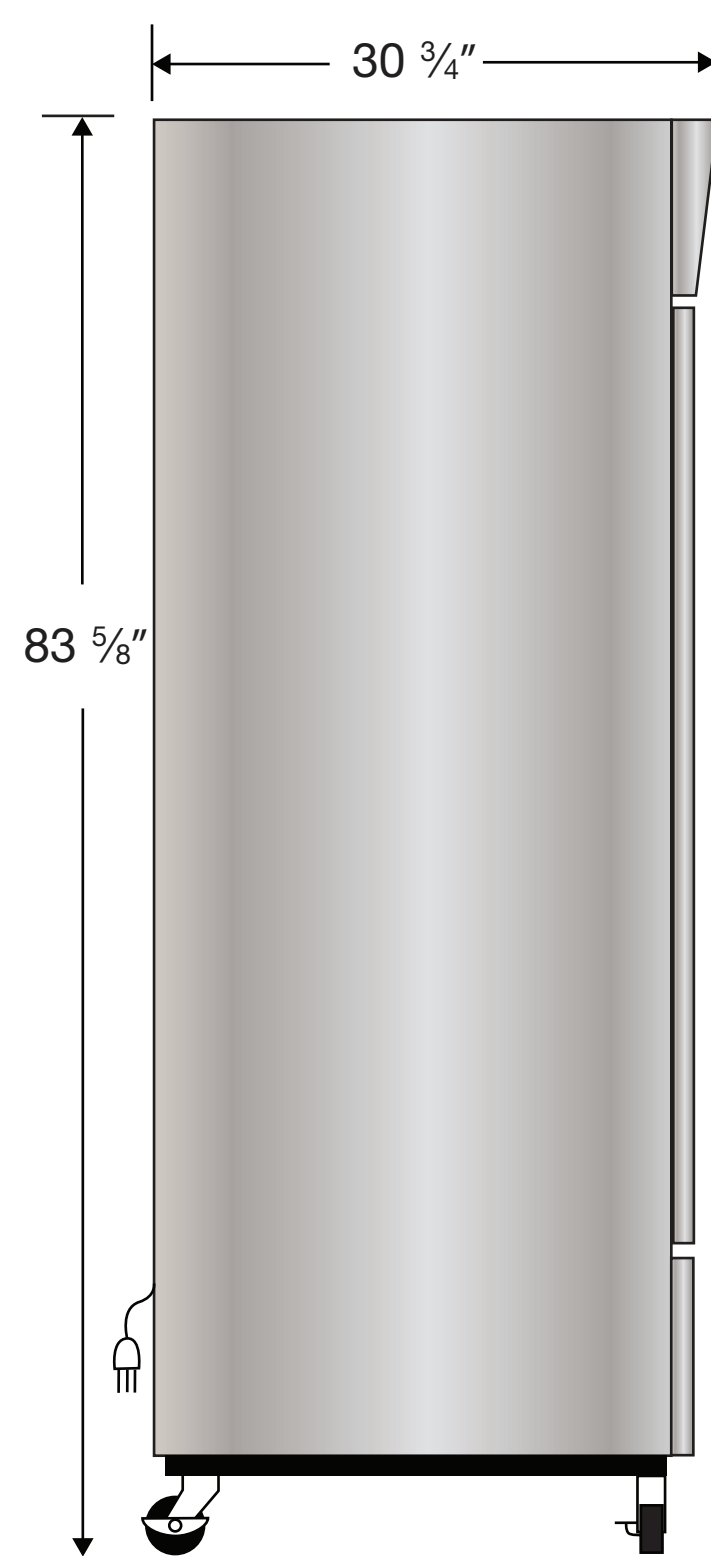


Front View

Side View

Top View



115VAC/60Hz/1PH
 NEMA-5-15P

Cu. Ft	Defrost	Door	Int Door	Shelves	W"	D"	H"	Refrigerant	H.P.	Amps	Weight
72	Cycle	3 Solid	0	9 Adj.	78 1/8	30 3/4	83 5/8	R290	3/4	6.9	600 lbs.