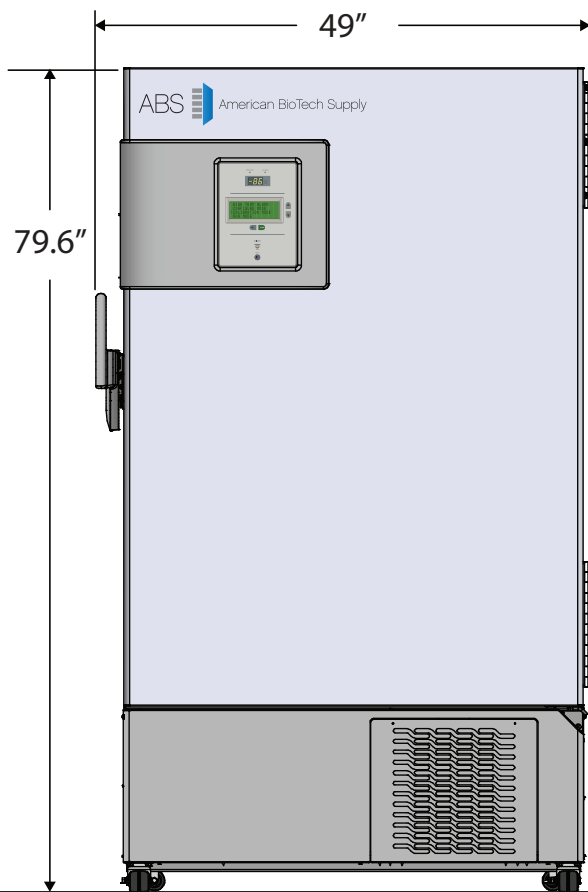
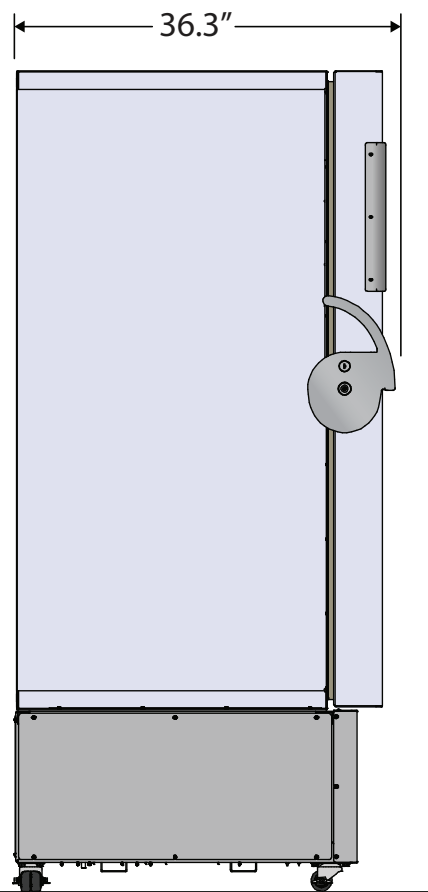


CUTSHEET

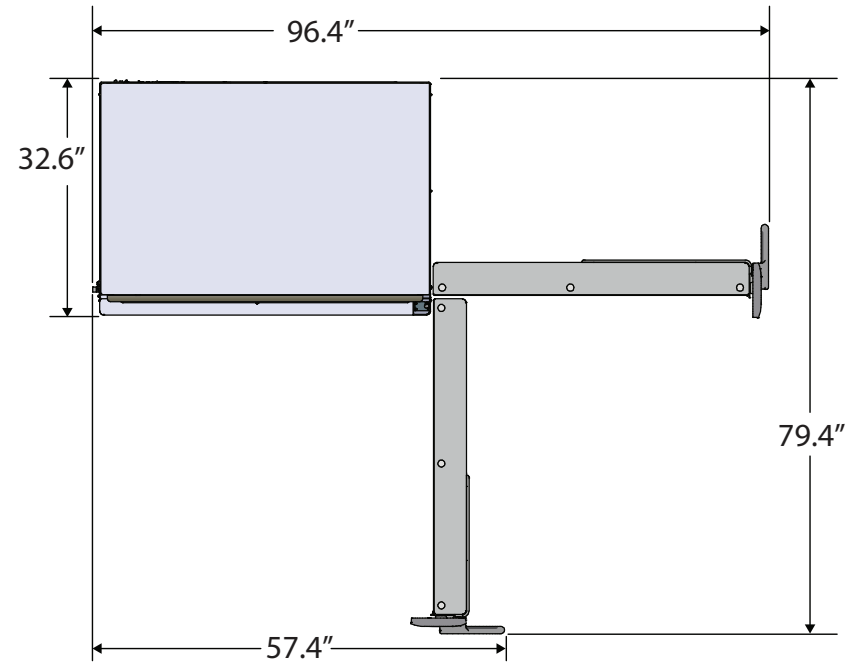
Front View



Side View



Top View



230VAC/60Hz/1PH
NEMA-6-15P

Cu. Ft	Defrost	Door	Int Door	Shelves	W"	D"	H"	H.P.	Amps	Weight
25	Manual	1 Solid	5	4 Fixed	49	36.3	79.6	½ x ½	10	730 lbs.