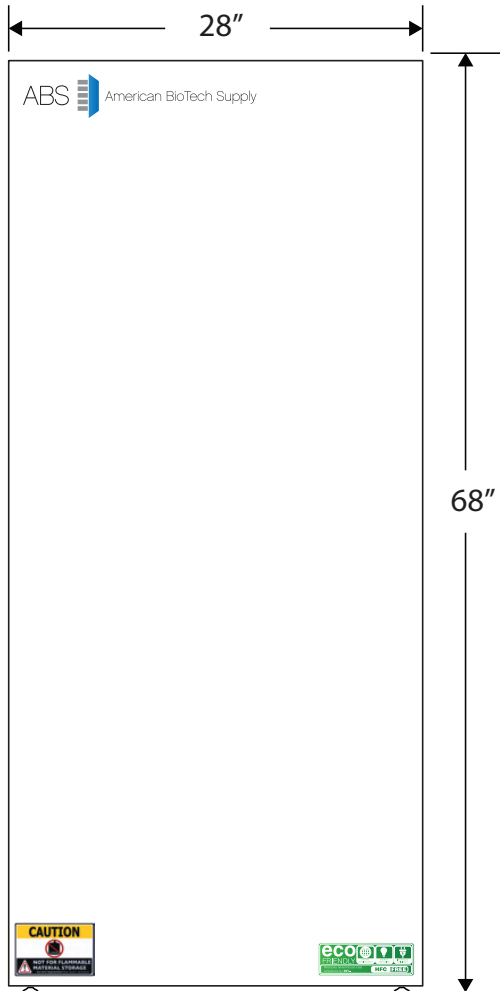
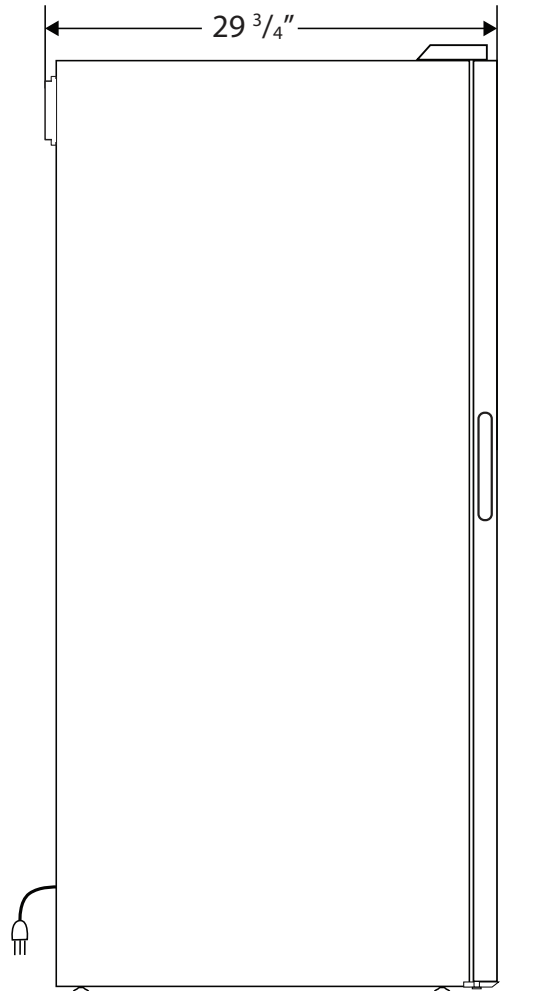


CUTSHEET

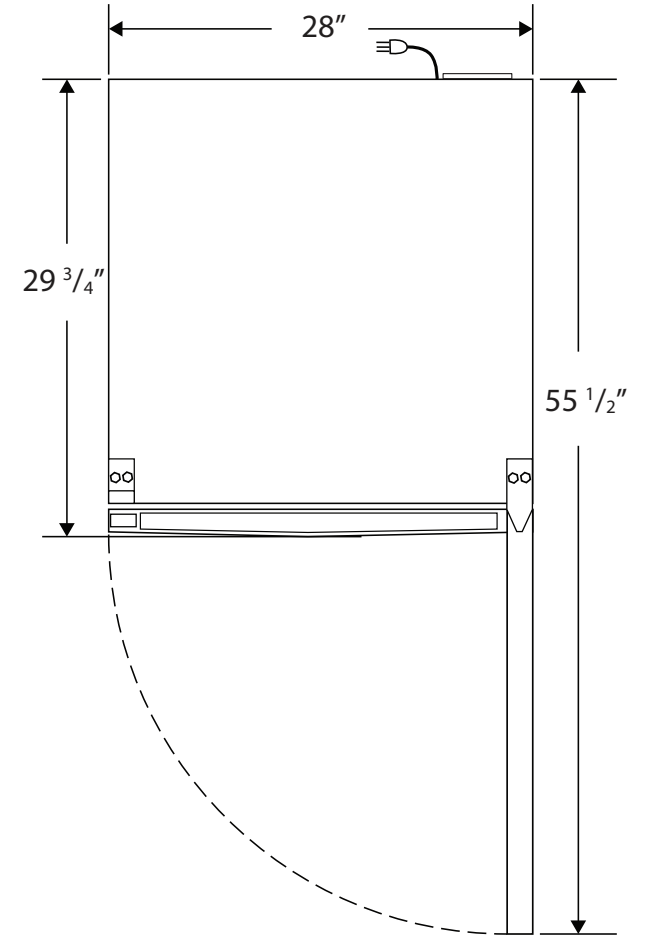
Front View



Side View



Top View



115VAC/60Hz/1PH
NEMA-5-15P

| Cu. Ft | Defrost | Door | Int Door | Shelves | W" | D" | H" | Refrigerant | H.P. | Amps | Weight |
|--------|---------|---------|----------|---------|----|--------|----|-------------|------|------|----------|
| 17 | Auto | 1 Solid | 0 | 3 Adj | 28 | 29 3/4 | 68 | R600a | 1/4 | 5 | 190 lbs. |