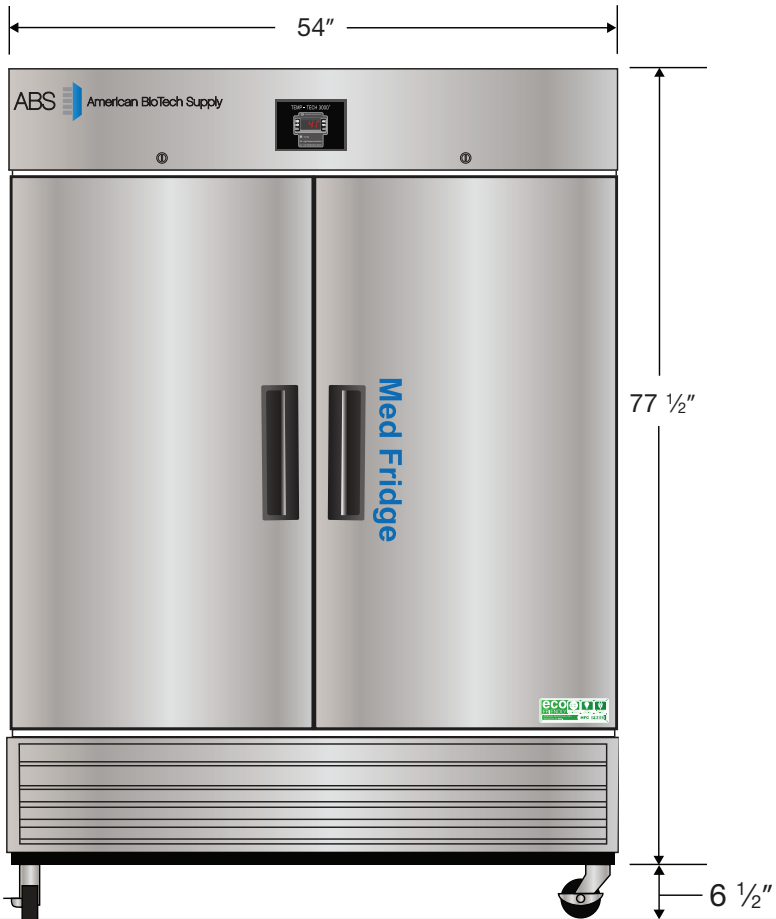
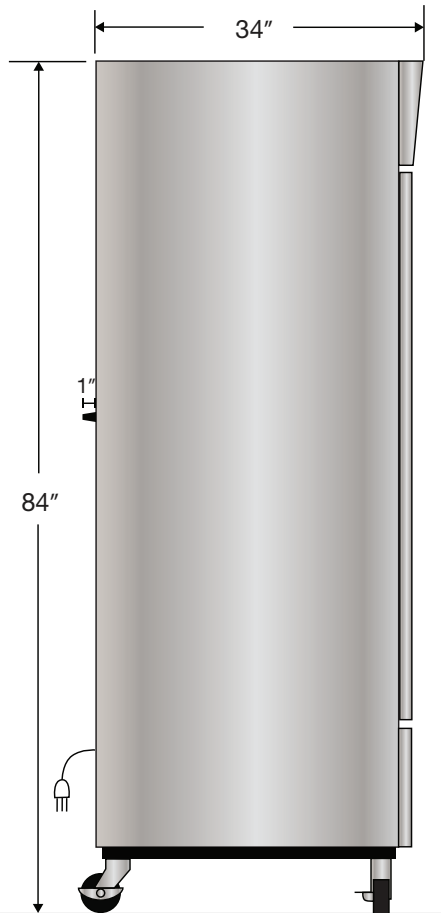


CUTSHEET

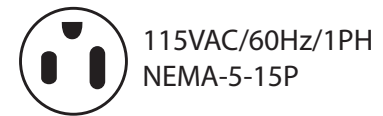
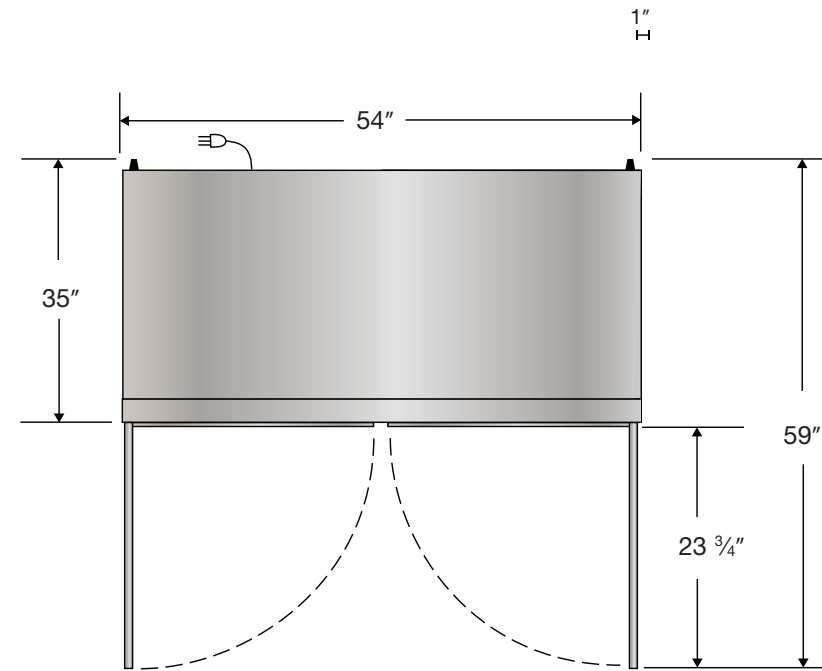
Front View



Side View



Top View



Cu. Ft	Defrost	Door	Int Door	Shelves	W"	D"	H"	Refrigerant	H.P.	Amps	Weight
49	Cycle	2 Solid	0	6 Adj.	54	35	84	R290	1/4	4.5	400 lbs.