

**ABT-HC-SSP-49G**

**Images**



**Product Description**

The Premier Stainless Steel Laboratory Refrigerators feature a microprocessor temperature controller, allowing for precise temperature control, recovery, and maintenance versus mechanical style thermostats. Critical samples and supplies are security backed with an extensive package of temperature security and alarm features.

Environmentally friendly, natural hydrocarbon (HC) refrigerants (not containing hydrofluorocarbons) vastly reduce global-warming potential (GWP) while meeting new EPA/SNAP mandates and UL, ASHRAE compliance guidelines

**Certifications**



**General Description and Application**

Storage capacity (cu. ft)	49 Cu. Ft. Capacity
Door	2 swing glass doors, self-closing
Shelves	8 Adjustable Shelves
Freezer Compartments	Non-applicable
Baskets	Non-applicable
Mounting	Swivel Casters
Interior lighting	LED interior lights are safety shielded and switch controlled
Airflow management	Forced draft air circulation
External probe access	Probe access port (3/4")
Insulation	High density urethane foam cabinet insulation
Exterior materials	Stainless Steel
Access Control	Keyed door lock
General warranty	Two (2) year parts and labor warranty
Compressor Parts Warranty	Five (5) year compressor parts warranty
Product Weight (lbs)	515
Shipping Weight (lbs)	557
Rated Amperage	4.5 Amps
Power Plug/Power Cord	NEMA 5-15 Plug, conforms to UL471 requirements
Facility Electrical Requirement	110-120V AC: 15 A (minimum)
Agency Listing and Certification	ETL Listed

**Refrigeration System**

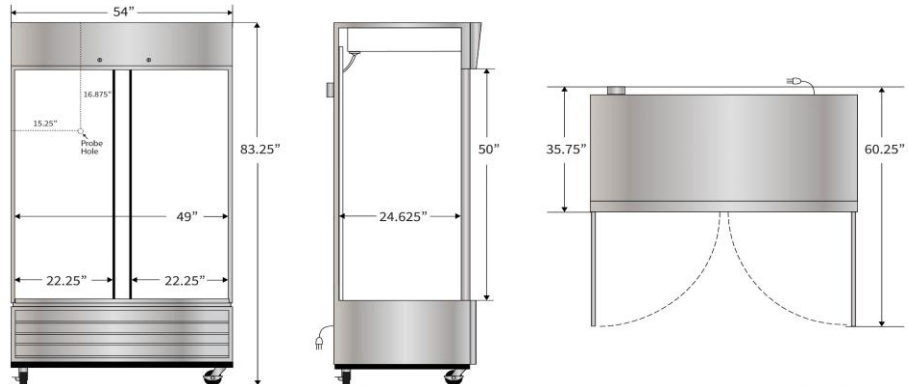
Refrigerant	Hydrocarbon natural refrigerant (R290)
Defrost	Cycle

**Controller, Configuration, Alarms and Monitoring**

Controller technology	Microprocessor temperature controller
Display technology	Digital temperature display
Adjustable Temperature Range	1°C to 10°C
External alarm connection	Remote alarm contacts
Alarms	Audible and visual high and low temperature alarms
Digital Communication	RS-485 (MODBUS)
Warranty Disclaimer	Indoor use only, +18C to +26C (+65F to +78F), <70% RH. Specifications are subject to change.

**Dimensions**

	Width (in.)	Depth (in.)	Height (in.)	Door Swing (in.)	Total open Depth (in.)
Exterior	54"	35.75"	83.25"	24.5"	60.25"
Interior	49"	24.625"	50"		



**Contact**

Customer Service  
 Technical Service

800-648-4041 Option 3  
 800-648-4041 Option 5, Parts Option 4

customerservice@horizonscientific.com  
 technicalservice@horizonscientific.com