

ABT-HC-LS-47

Product Description

The Standard Series Glass Laboratory Refrigerators are purpose built for scientific and medical applications. Standard Series Glass Door Laboratory Refrigerators feature a digital microprocessor temperature controller allowing for the precise temperature management necessary for critical samples and supplies. A forced air directional refrigeration system provides superior temperature uniformity and recovery after door openings.

The temperature display and alarm module offer product security with a monitoring and alarm system. Real-time sample simulated temperatures are constantly displayed and supported by audible/visual high and low temperature alarms.

Images



Certifications



General Description and Application

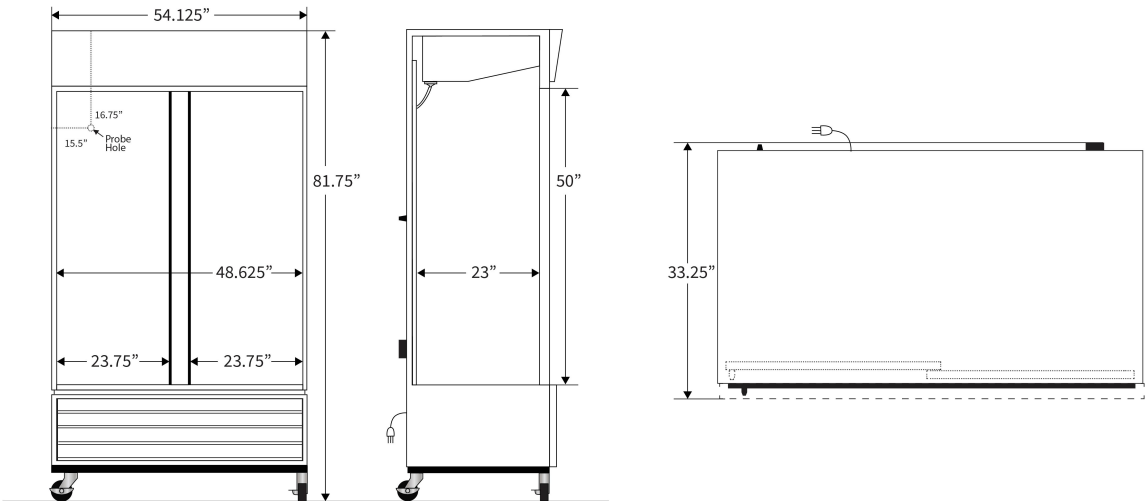
Storage capacity (cu. ft)	47 Cu. Ft.
Door	Two sliding glass doors, self-closing
Shelves	Eight adjustable shelves (adjustable in 1/8" increments)
Mounting and Installation	Swivel Casters
Interior lighting	LED interior lights are safety shielded and switch controlled
Airflow Management	Forced draft air circulation
External probe access	Probe access port (3/4")
Insulation	Cabinet is foamed-in-place with EPA compliant high density urethane foam
Exterior materials	White powder-coated steel interior and exterior
Access control	Keyed door lock
General warranty	One (1) years parts and labor warranty
Compressor warranty	Five (5) years compressor warranty
Product Weight (lbs)	458
Shipping Weight (lbs)	508
Rated Amperage	4.5 Amps
Power Plug/Power Cord	NEMA 5-15 plug
Facility Electrical Requirement	115V, 60 Hz, 4.5 Amps, 1/4 HP
Agency Listing and Certification	ETL, C-ETL listed and certified to UL471 standard

Refrigeration System	
Compressor	Hermetic
Refrigerant	Hydrocarbon, natural refrigerant (R290)
Defrost	Cycle

Controller, Configuration, Alarms and Monitoring	
Controller technology	Microprocessor Temperature Controller
Display technology	Digital Temperature Display
Data Transfer	Non-applicable
Chart Recorder	Non-applicable
Adjustable Temperature Range	1°C to 10°C
External alarm connection	Remote alarm contacts
Disclaimers:	Specifications are subject to change.

Alarms:	Audible and visual high/low temperature alarms Remote alarm contacts
---------	---

Dimensions					
	Width (in.)	Depth (in.)	Height (in.)	Door Swing (in.)	Total open Depth (in.)
Exterior	54.125"	33.25"	81.75"		33.25"
Interior	48.625"	23"	50"		



Contact		
Customer Service	800-648-4041 Option 3	customerservice@horizonscientific.com
Technical Service	800-648-4041 Option 5, Parts Option 4	technicalservice@horizonscientific.com

Rev_01.14.2025