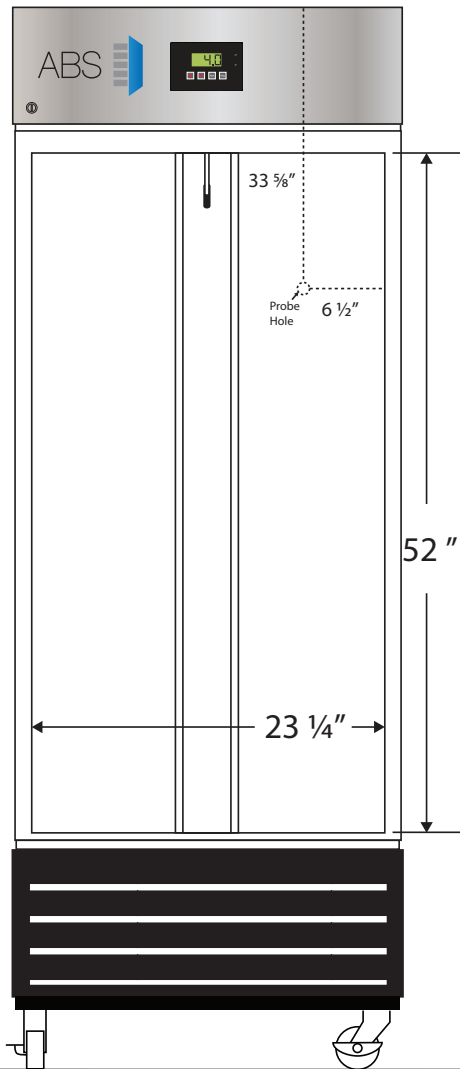
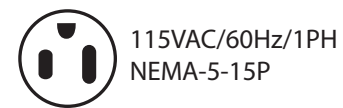
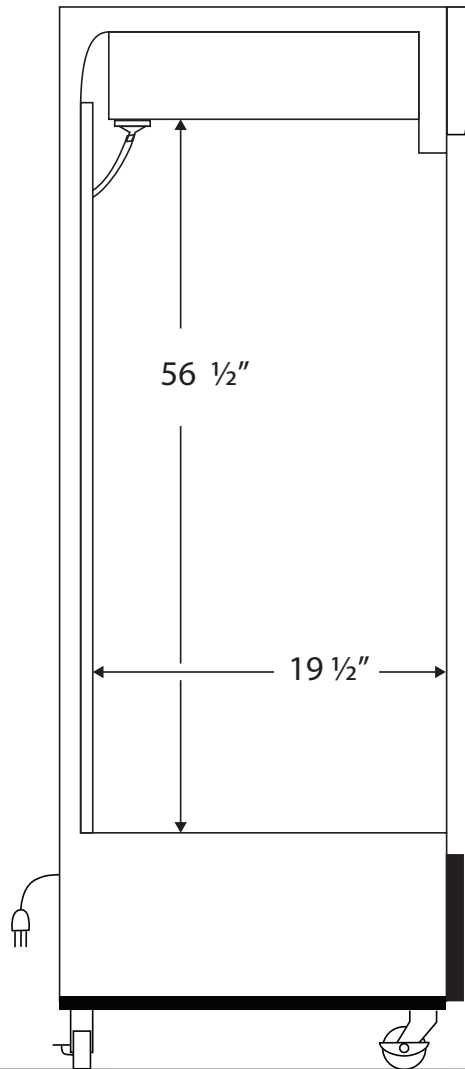


CUTSHEET

Front View



Side View



| Cu. Ft | Defrost | Door | Int Door | Shelves | Interior Dim. | | | Refrigerant | H.P. | Amps | Weight |
|--------|---------|---------|----------|---------|---------------|--------|--------|-------------|------|------|----------|
| | | | | | W" | D" | H" | | | | |
| 19 | Cycle | 1 Solid | 0 | 4 Adj | 23 1/4 | 19 1/2 | 56 1/2 | R290 | 1/3 | 5.4 | 255 lbs. |

Note: Interior dimensions are estimates and subject to change without notice