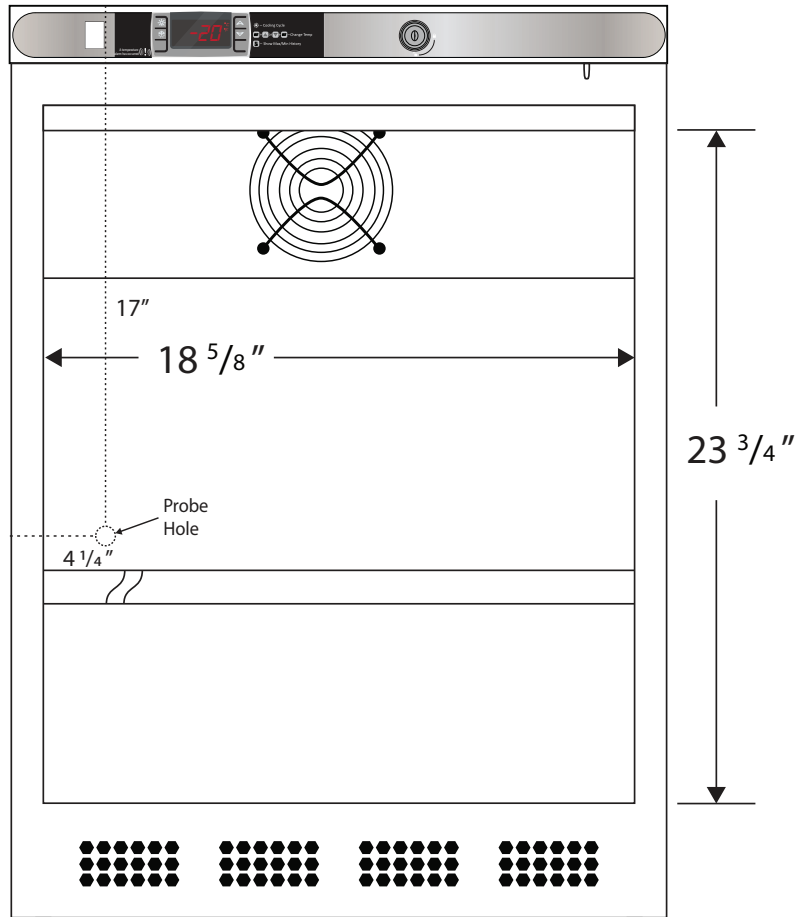
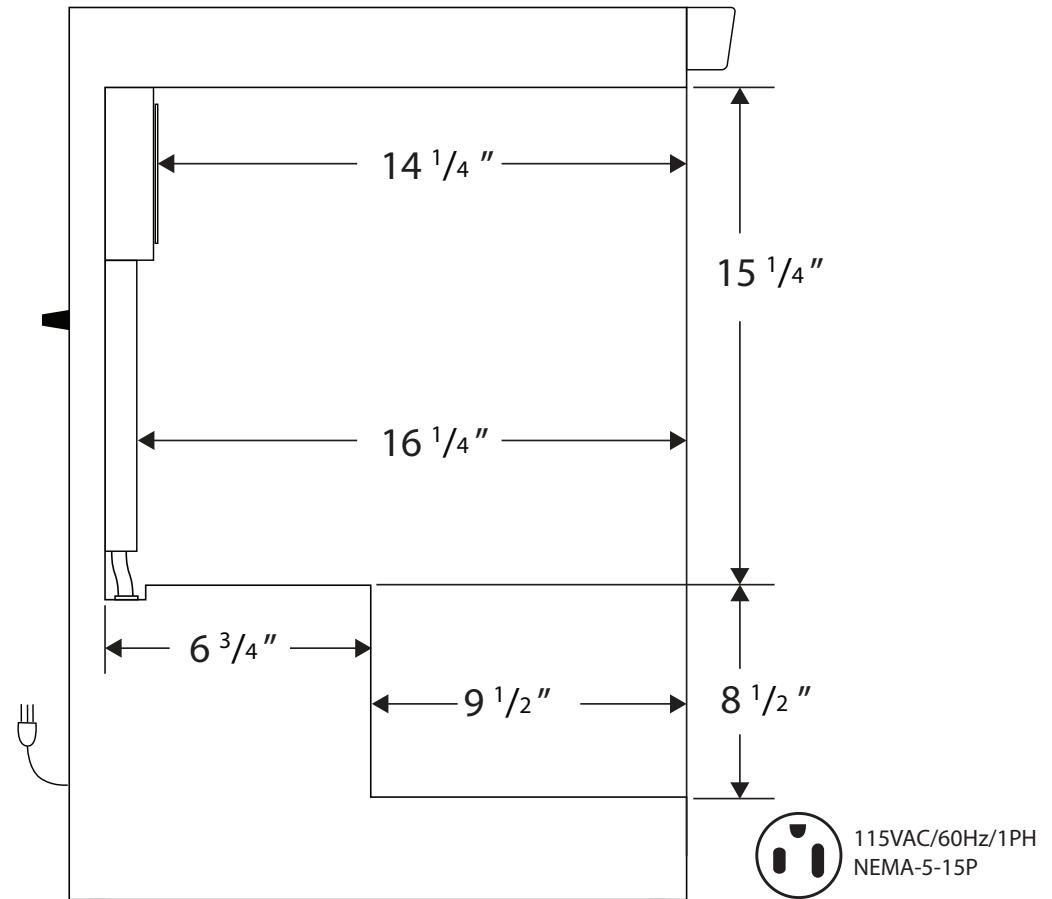


CUTSHEET

Front View



Side View



| Cu. Ft | Defrost | Door       | Int Door | Shelves | Interior Dim. |        |        | Refrigerant | H.P. | Amps | Weight   |
|--------|---------|------------|----------|---------|---------------|--------|--------|-------------|------|------|----------|
|        |         |            |          |         | W"            | D"     | H"     |             |      |      |          |
| 4.2    | Auto    | 1 Solid LH | 0        | 3 Adj   | 18 5/8        | 16 1/4 | 23 3/4 | R290        | 1/8  | 1.8  | 100 lbs. |

Note: Interior dimensions are estimates and subject to change without notice