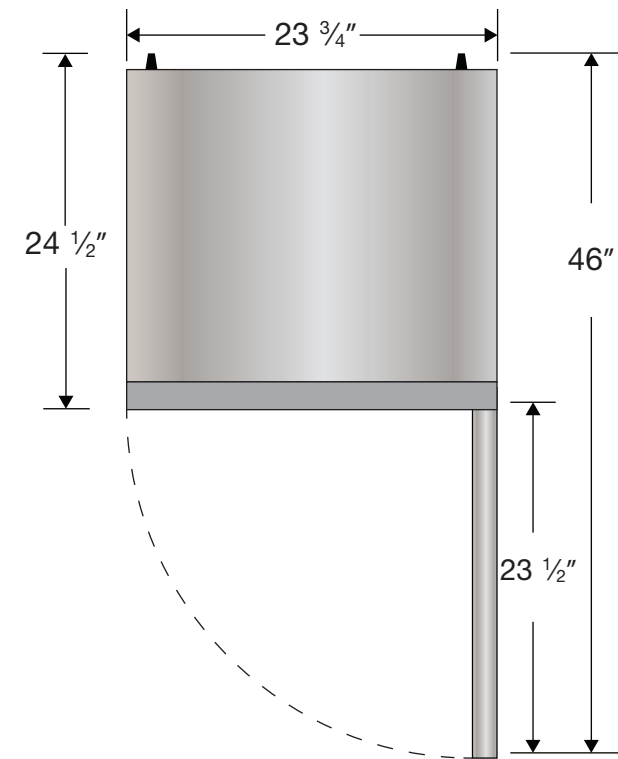
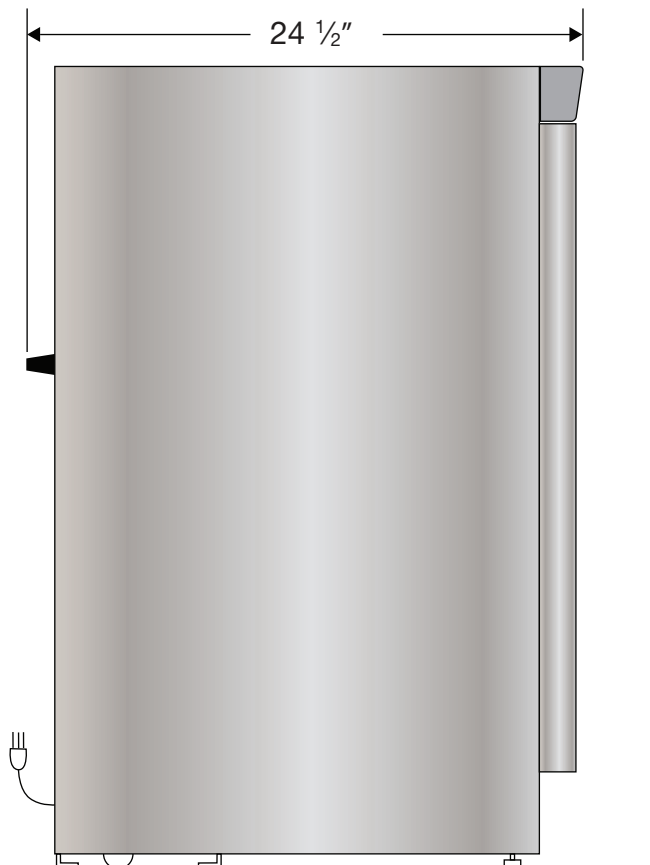



CUTSHEET

Front View

Side View

Top View



 115VAC/60Hz/1PH  
NEMA-5-15P

| Cu. Ft | Defrost | Door    | Int Door | Shelves | W"     | D"     | H"     | Refrigerant | H.P. | Amps | Weight   |
|--------|---------|---------|----------|---------|--------|--------|--------|-------------|------|------|----------|
| 4.2    | Manual  | 1 Solid | 0        | 2 Fixed | 23 3/4 | 24 1/2 | 33 3/8 | R600a       | 1/8  | 1.5  | 100 lbs. |