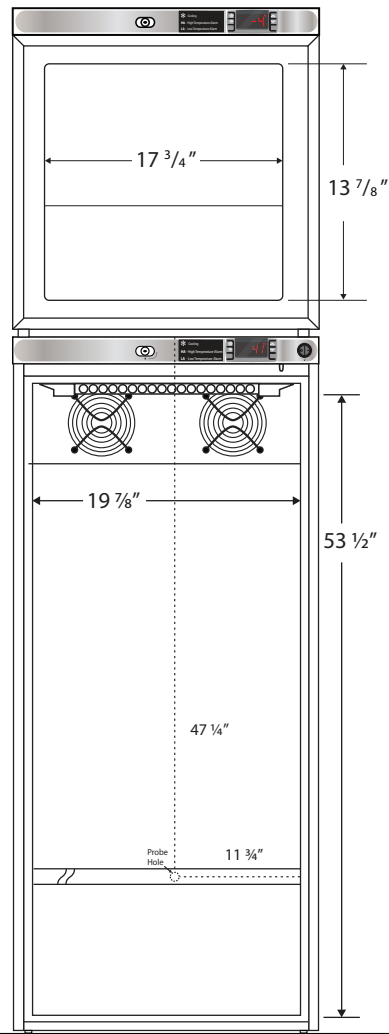
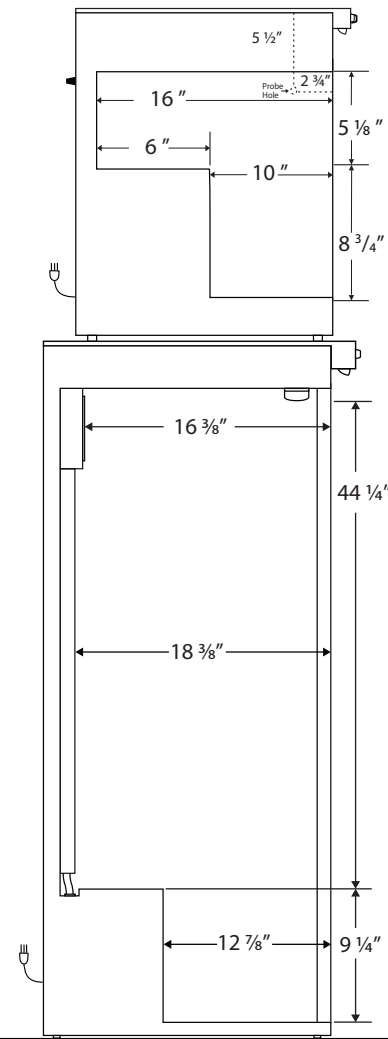


CUTSHEET

Front View



Side View



115VAC/60Hz/1PH
NEMA-5-15P

Compartment	Cu. Ft	Defrost	Door	Int Door	Shelves	Interior Dim.			Refrigerant	H.P.	Amps	Weight
						W"	D"	H"				
Freezer	1.7	Manual	1 Solid	0	2 Adj.	$17 \frac{3}{4}$	16	$13 \frac{7}{8}$	R600a	$\frac{1}{8}$	1	219 lbs.
Refrigerator	10.5	Cycle	1 Solid	0	6 Adj.	$19 \frac{7}{8}$	$18 \frac{3}{8}$	$53 \frac{1}{2}$		$\frac{1}{3}$	2.3	

Note: Interior dimensions are estimates and subject to change without notice