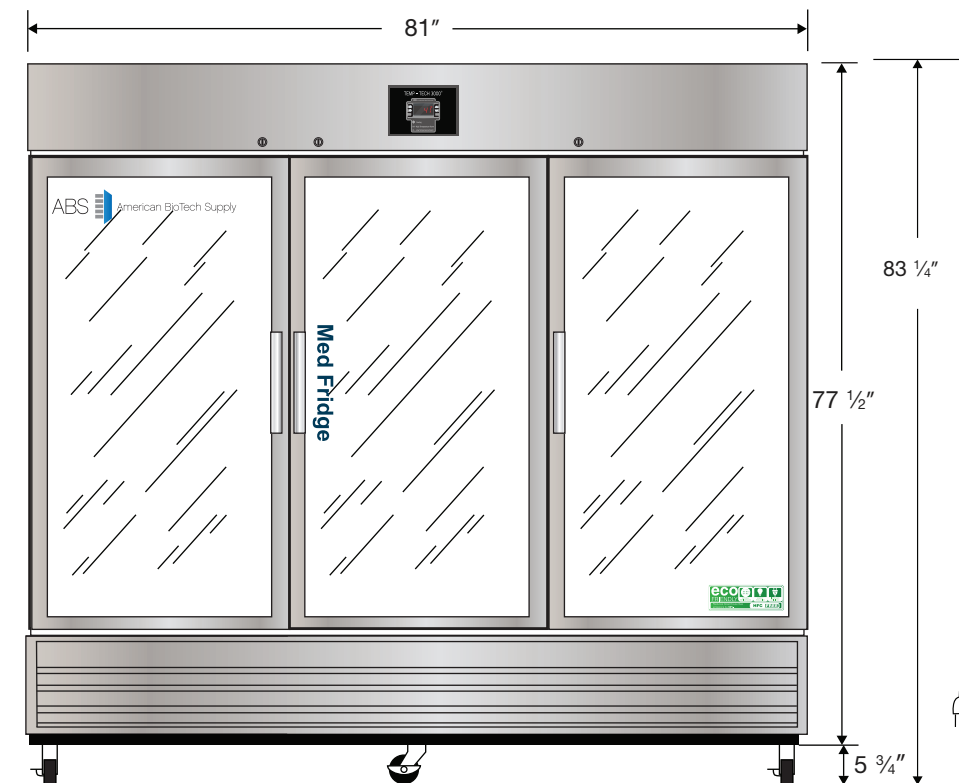
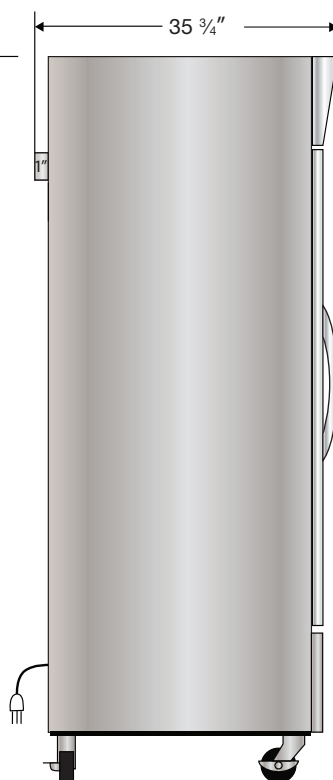


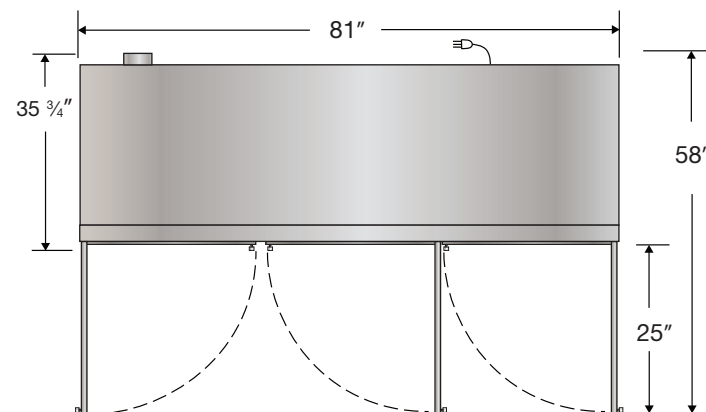
Front View




Side View



Top View



 115VAC/60Hz/1PH
NEMA-5-15P

Cu. Ft	Defrost	Door	Int Door	Shelves	W"	D"	H"	Refrigerant	H.P.	Amps	Weight
72	Cycle	3 Glass	0	12 Adj.	81	35 ³ / ₄	83 ¹ / ₄	R290	¹ / ₂	7.5	725 lbs.