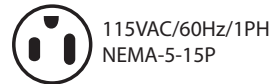
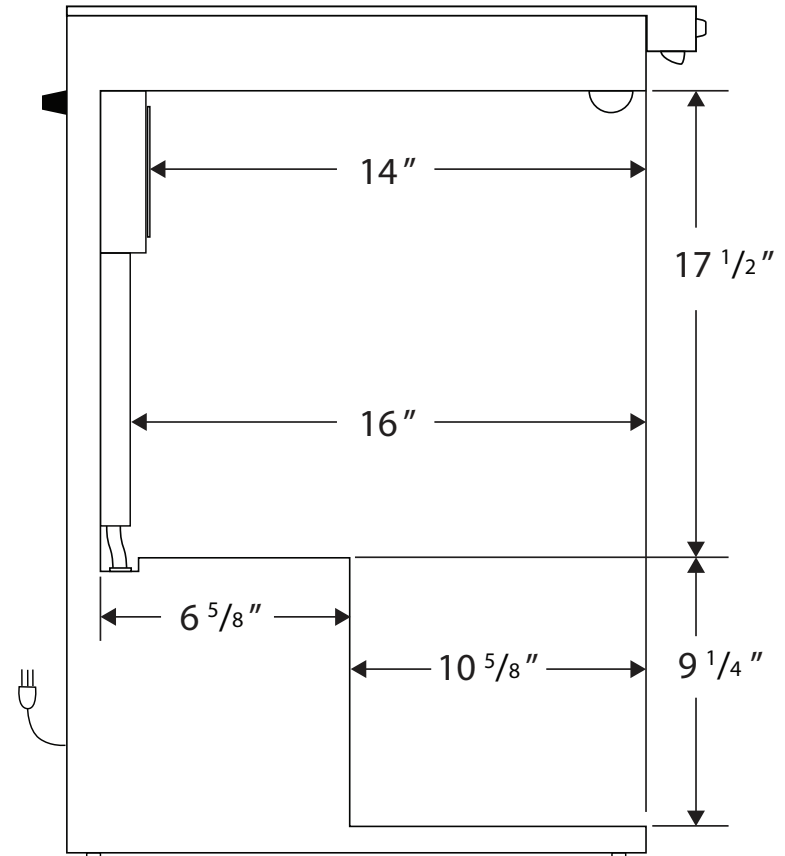
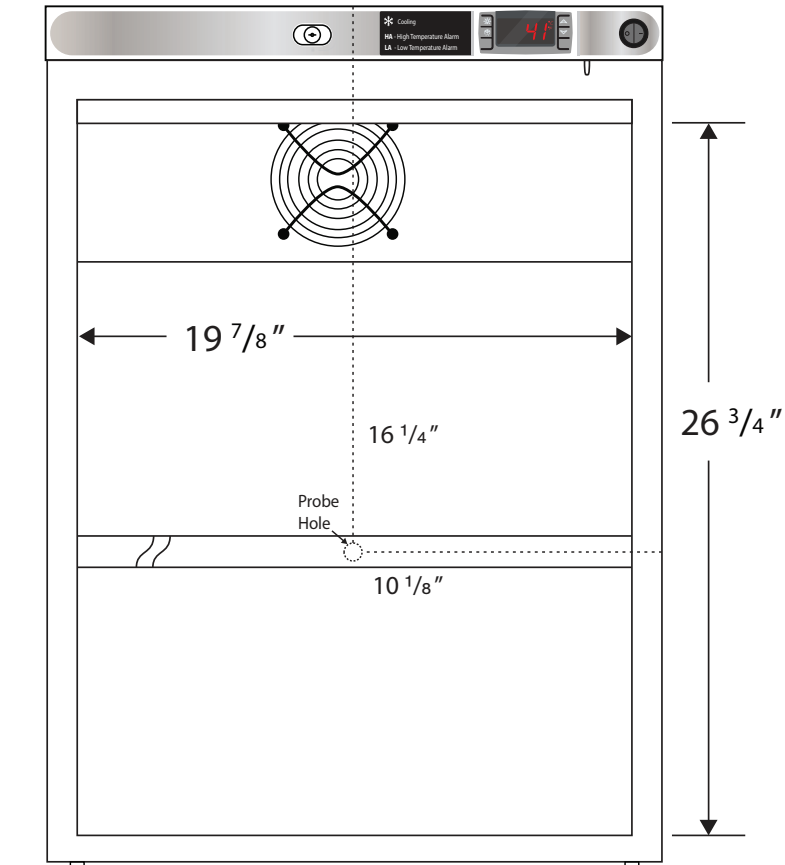


CUTSHEET

Front View

Side View



Cu. Ft	Defrost	Door	Int Door	Shelves	Interior Dim.			Refrigerant	H.P.	Amps	Weight
					W"	D"	H"				
5.2	Cycle	1 Glass	0	3 Adj +Footed Bottom	19 7/8	16	26 3/4	R600a	1/6	1.3	93 lbs.

Note: Interior dimensions are estimates and subject to change without notice