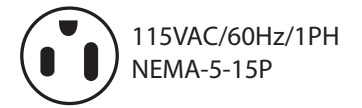
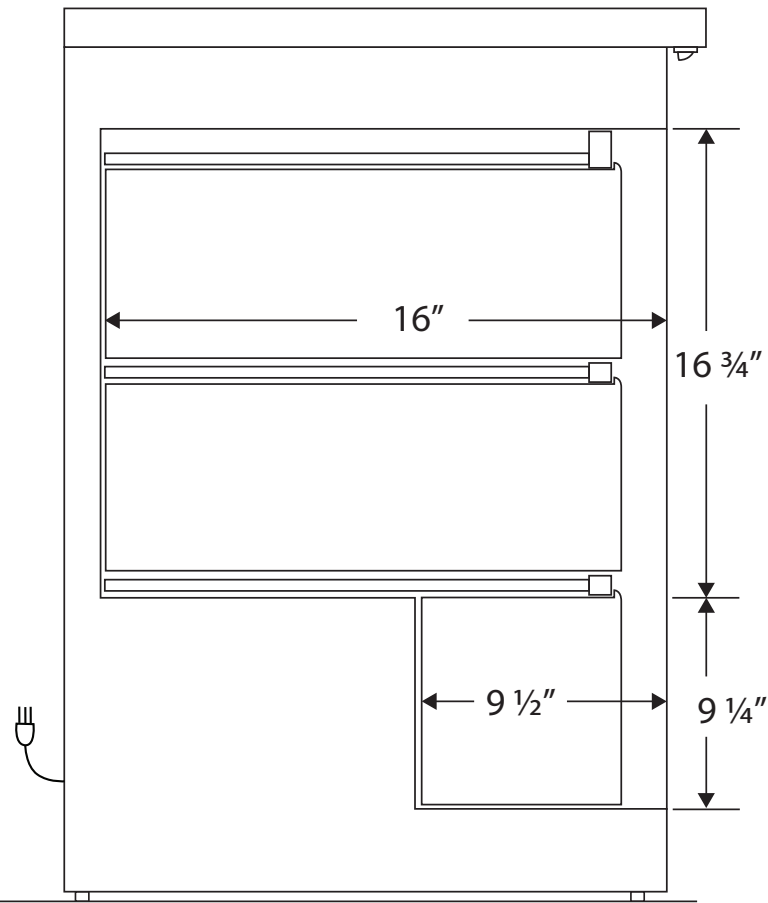
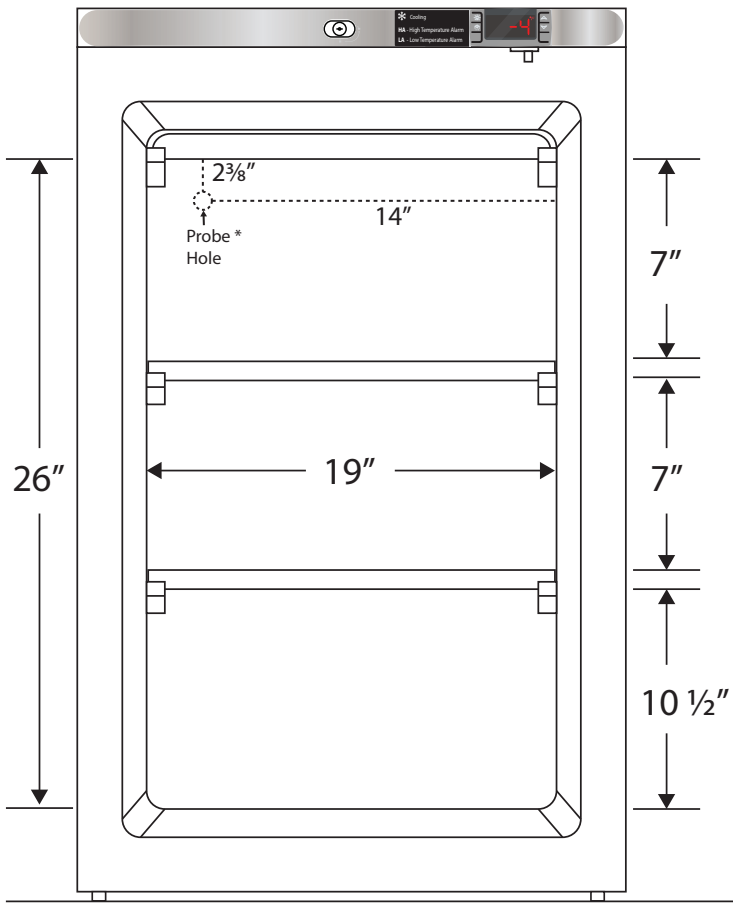


CUTSHEET

Front View

Side View



Cu. Ft	Defrost	Door	Int Door	Shelves	Interior Dim.			Refrigerant	H.P.	Amps	Weight
					W"	D"	H"				
4	Manual	1 Solid	0	2 Fixed	19	16	26	R600a	1/8	1.4	91 lbs.

Note: Interior dimensions are estimates and subject to change without notice